

Sinteso™/ Cerberus™ PRO

## Manual call point

FDM231-RP, FDM231-RP(F)



### Manual call points for the automatically addressed detector bus FDnet/C-NET

- Manual call points with direct activation
- Two-wire installation for all cable types
- Communication via FDnet/C-NET (addressed individually)
- Resettable plastic insert

## Properties

### Features

- For the immediate manual activation of a fire alarm
- Protected electronics
- Built-in alarm indicator (LED)
- Integrated line separator
- Two-color LED for alarm and test

### Eco-friendly

- Environmentally friendly processing
- Reusable materials
- Electronic parts and synthetic materials can be easily separated

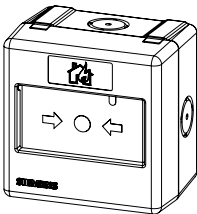
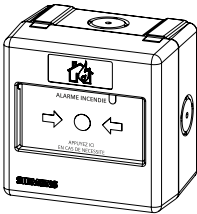
## Use

- For indoor applications only
- For surface mounting
- For surface-mounted and recess-mounted cable entries in easily accessible locations

## Functions

- Direct alarm activation by pressing the plastic insert
- The key resets the switch and restores the device to a state of operational readiness

## Type Overview

Type	Designation	Order number	Weight [kg]
FDM231-RP 	Manual call point with plastic insert incl. back box and key FDMK231	S54311-F11-A1	0.150
FDM231-RP(F) <sup>1</sup> 	Manual call point with plastic insert incl. back box and key FDMK231 Version for France	S54311-F16-A1	0.150
FDMH231-S-R	Back box, red	S54311-B12-A1	0.100
FDME231	Switching unit incl. key FDMK231	S54311-B14-A1	0.100
FDME231-FR	Switching unit for France incl. key FDMK231	S54311-B13-A1	0.100
–	M20 x 1.5 metal cable gland	A5Q00004478	0.036
–	M20 x 1.5 counter nut	A5Q00004479	0.006

### Spare parts

FDMK231	Key	S54311-B10-A1	0.001
---------	-----	---------------	-------

<sup>1</sup> The switching unit and back box are supplied in separate packaging units.

### Product documentation

Document ID	Title
008164	Equipment overview Sinteso™ Detector system FD20
008331	List of compatibility (for 'Sinteso™' product line)
A6V10229261	List of compatibility (for 'Cerberus™ PRO' product line)
A6V10404679	Technical manual Manual call points FDM231-RP, FDM231-RP(F)

Related documents such as the environmental declarations, CE declarations, etc., can be downloaded from the following Internet address:

<https://siemens.com/bt/download>

## Mounting

- Installation with recess-mounted feed lines
  - Break open the openings in the back box
  - Sealed openings for cable diameters up to max. 5 mm
- Installation with surface-mounted feed lines
  - Use the openings for cable glands at the top and bottom

## Disposal



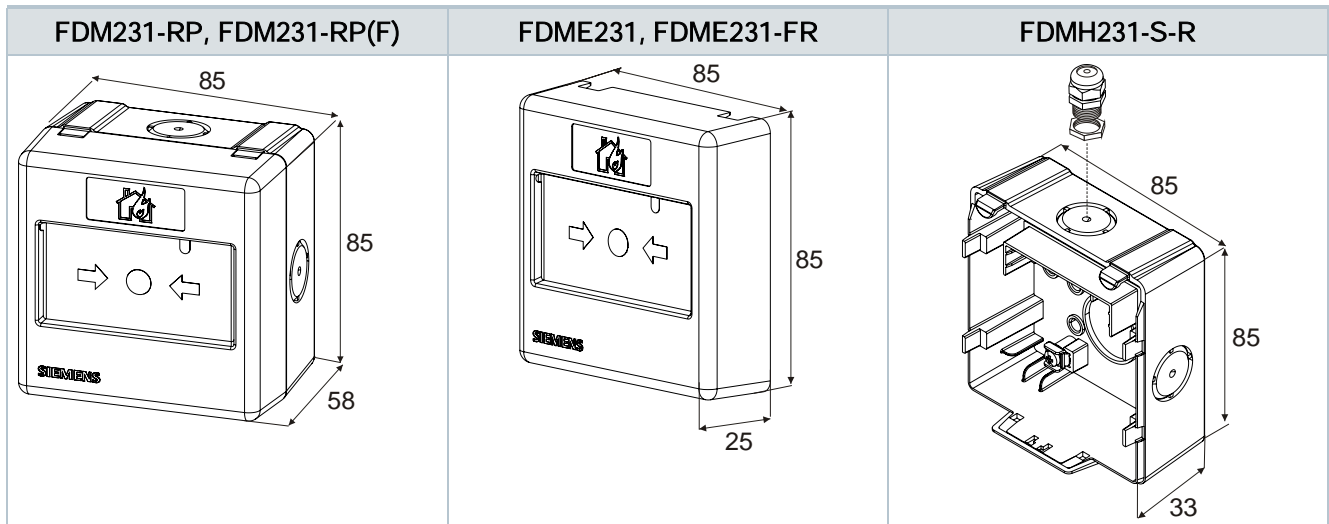
The device is considered an electronic device for disposal in accordance with the European Guidelines and may not be disposed of as domestic garbage.

- Dispose of the device through channels provided for this purpose.
- Comply with all local and currently applicable laws and regulations.

## Technical data

	FDM231-RP	FDM231-RP(F)
Operating voltage	DC 12...33 V	
Operating current (quiescent)	Max. 180 µA	
Ext. alarm indicator (AI)	1	
Connection terminals	0.28...1.5 mm <sup>2</sup>	
Operating temperature	-25...+65 °C	
Storage temperature	-30...+65 °C	
Air humidity, non-condensing	≤95 % rel.	
Communication protocol	FDnet/C-NET	
Color	~RAL 3000 flame red	
Protection category (EN 60529 / IEC 529)	IP44	
Standards	EN 54-11, EN 54-17	
Design	Type A (direct activation)	
Approvals		
• VdS	G215064	G215064
• LPCB	531k/12	531k/13
System compatibility		
• FDnet	FS20	
• C-NET	FS720	

## Dimensional drawings



15 <b>CE</b> 0832	<b>FDM231 / FDM231-RP / FDM231-RP(F)</b>	Siemens Schweiz AG; Theilerstrasse 1a CH-6300 Zug Technical data: see doc. <b>A6V10404679</b>
FDM231 - Manual callpoint incl. short-circuit isolator for use in fire detection and fire alarm systems installed in buildings.		
305/2011/EU (CPR): EN 54-11 / EN 54-17 ; 2014/30/EU (EMC): EN 50130-4 / EN 61000-6-3 ; 2011/65/EU (RoHS): EN 50581		
The declared performance and conformity can be seen in the Declaration of Performance (DoP) and the EU Declaration of Conformity (DoC), which is obtainable via the Customer Support Center: Tel. +49 89 9221-8000 or <a href="https://siemens.com/bt/download">https://siemens.com/bt/download</a>		
DoP No.: 0832-CPR-F0816; DoC No.: CED-FDM231		

Issued by  
Siemens Switzerland Ltd  
Building Technologies Division  
International Headquarters  
Theilerstrasse 1a  
CH-6300 Zug  
Tel. +41 58 724 2424  
[www.siemens.com/buildingtechnologies](http://www.siemens.com/buildingtechnologies)

© Siemens Switzerland Ltd, 2015  
Technical specifications and availability subject to change without notice.